



HD Video Conference Camera MG104



The MG104 series camera offers perfect functions, superior performance. The features include advanced ISP processing algorithms to provide vivid images with a strong sense of depth, high resolution, and fantastic color rendition. Working stably and reliably; easy and convenient to install and maintain.

Features

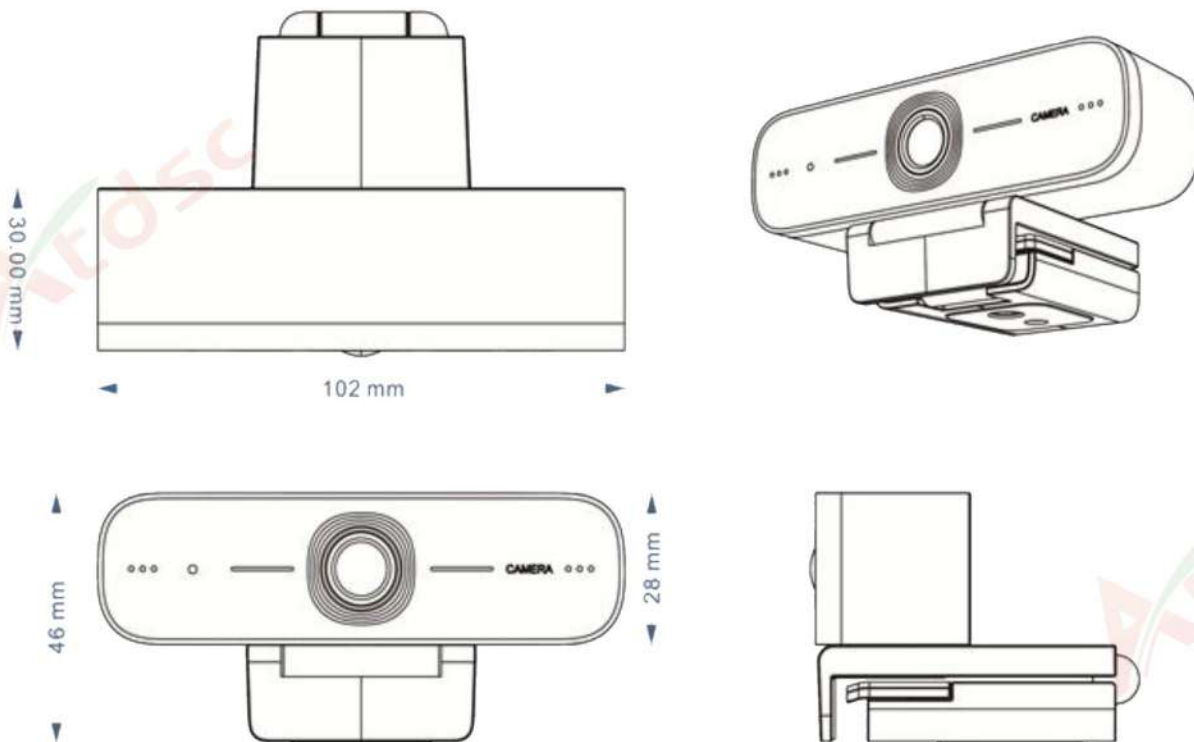
- **Wide FOV:** 80° / 109° wide angle and small distortion lens for options.
- **Superb High-definition Image:** With high quality CMOS sensor. Resolution is up to 1920x1080 with frame rate up to 30fps.
- **Multiple Video Compression:** Support H.264/H.265, MJPEG, YUV video compression, to made video play smoothly.
- **Stereo sound:** Built-in pick-up to present clear stereo sound effect, no need to connect external device.
- **USB2.0 interface:** Plug and play function is better for power supply and upgrading.
- **Multiple installation:** Easy to install on any device, say, LCD screen, laptop, table or tripod.
- **Wide Application:** Personal video conferencing, live video conference, collaboration meeting etc.
- **Convenient to operate:** No need to download driving device.

Technical Specification

Camera Parameters		
	MG104-1	MG104-2
Sensor	high quality HD CMOS sensor	
Effective Pixels	16: 9 2.07 megapixels	
Video Format	960x540/320x180/432x240/640x360/800x448/800x600/864x480/960x720/1024x576/1280x720/1600x896/1920x1080/272x144/368x208/384x216/480x272/624x352/912x512/424x240/640x480/320x240/160x120/P30	
View angle (default)	88° (D) / 80° (H) / 50°(V)	113°(D) / 109°(H) / 57°(V)
Focal length (default)	3.24mm (4K lens)	2.90mm
Focus	Fixed	
Aperture	Fixed	
Backlight contrast	On/OFF	
Minimum illumination	0.5 Lux (F1.8, AGC ON)	

Exposure	Exposure parameter could be adjusted; support auto exposure
Video Adjustment	Brightness, Color, Saturation, Contrast, White balance mode, Gain, Anti-flicker, Low brightness compensation etc
SNR	>50dB
Input/Output Interface	
Video Interfaces	USB2.0 (power supply, upgrading available)
Video Compression Format	MJPEG, YUV, H.264, H.265
Audio Input Interface	Built in omnidirectional high sensitive digital pickup
Other Parameter	
Input Voltage	5V
Input Current	500mA (Max.)
Power consumption	2.5W
Stored Temperature /Humidity	-10°C~+60°C 20%~95%
Working Temperature /Humidity	-10°C~+50°C、 20%~80%
Dimension (WXHXD)	102mm*46mm*30mm
Weight (appx.)	0.15kg
Application	Indoor
Accessory	User Manual, Warranty Card

Dimensions (Unit: mm)



An ISO 9001:2008 Company



E-Mail

TEAM INFOVISION PVT.LTD.



70/B-19, Second Floor, Rama Road Industrial Area, New Delhi-110015

Ph. : 011-42133102, Fax : 91-41845331

Email : ajay@teaminfovision.com, tarun@teaminfovision.com

Website : www.teaminfovision.com

Distributor Network / Service Centre

- Ahemdabad • Akola • Allahabad • Bareilly • Bhopal • Bhubhneswar
- Chandigarh • Chennai • Goa • Guwahati • Hyderabad • Imphal
- Indore • Jabalpur • Jalandhar • Jammu • Jamnagar • Jamshedpur
- Jhasi • Jorhat • Kanpur • Kashmir • Kolkata • Lucknow • Ludhiana
- Pune • Raipur • Silliguri • Srinagar-Uttarakhand • Varanasi