

RETRACTABLE CHAIRMEN & DELEGATE MICROPHONE

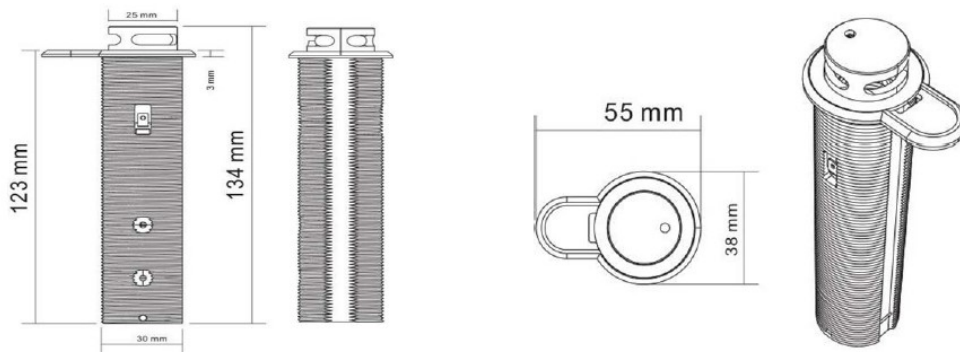


Technical Specifications

- Chairman & Delegate Boundary layer retractable style Microphone through table.
- Circular shaped Super Cardioid Microphone.
- Embedded in the table helps conducting conferences without any hindrance and clear view of all participants. Aesthetically designed with High-quality brass enhances the outlook of the room with crystal clear sound quality. Built-in shock pad and an RF filter makes it the conference seamless and smoother.
- Unique Touch Design Retractable Hidden Style Microphone with Built-in Talk Button – Push to Open and Push to close.

Technical Specification	
Model	Chairman Unit -ATDSC PDCU 100 Delegate Unit -ATDSC PDDU 100
Microphone	Super Cardioid
Chairman Unit	Priority Button to Mute, Un-Mute Delegate Units
Sound pick up distance	30-60 cm
Frequency response (Hz)	20Hz-20KHz or better
Output impedance (ohm)	75Ω or better
Sensitivity	-36dB±2dB or better
S.N.R	85dB 1KHz at 1 Pa or better
Dynamic range	140dB, 1KHz at max SPL or better
Maximum sound pressure	149dB SPL 1KHz THD1% or better
LED Light	LED light x 1 (Red)
Material	High quality brass
Power	18V safe Power from the controller
Connection	CAT6 FTP Cable via PCB Box
Microphone Connectivity	Daisy Chain – Loop In Loop Out
Anti-Mobile Phone	Built-in RF filter
Look at Me	Built-in Audio tracking feature works with PTZ Camera Zoom on Focus on Active Speaker
Automatic Shut Down	Microphone shuts down automatically if it does not receive a Voice for 45 seconds within its pick-up range.
Height of Microphone	11 mm when switched on
Net Weight	0.15 kg or less

Microphone Size Diagram: -



Authorized Dealers: