

DESKTOP HD VIDEO CAMERA ATDSC MG101



Plug and Play, USB 2.0 Interface

Wide Angle

Built-in Microphone

Auto Focus

Multiple Video Encoding

Digital Noise Reduction

Easy Operation & Maintenance



ATDSC MG101

Camera Parameter

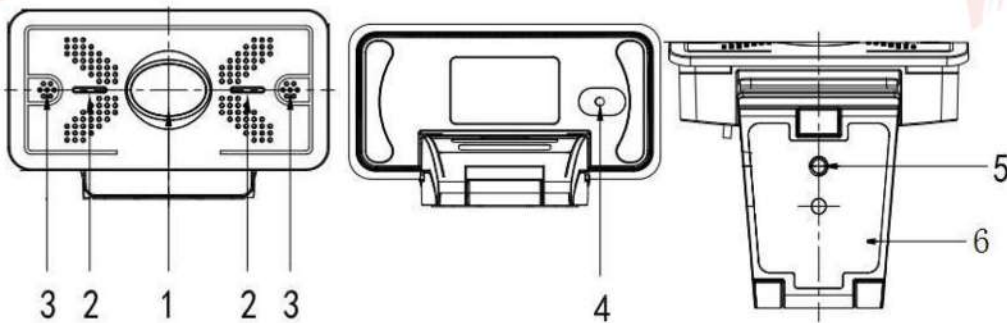
Sensor:	1/2.8 inch high quality HD CMOS sensor
Effective Pixels:	16:9, 2.07MP
Video Format:	176x144/320x240/320x180/352x288/640x480/720x480/720x576/640x360/800x600/960x540/1024x576/1024x768/1280x720/1920x1080P30/25/20/15/10/5
Lens:	Fixed (3.5mm)
View Angle:	93.5° (D), 83° (H), 53.14° (V)
Minimum Illumination:	0.5Lux(F1.8, AGC ON)
Focus:	Auto Focus
Iris:	Fixed
BLC:	ON/OFF
Video Adjustment:	Brightness, Color, Saturation, Contrast, Sharpness, Gamma curve, Gain, Anti-flicker
SNR:	>50dB

Input /Output Interface

Video Interface:	USB2.0(power supply available)
Video Compression Format:	H.264, MJPEG, YUV
Audio Input Interface:	Built in omnidirectional high sensitive digital microphone

Other Parameter

Input Voltage:	5V
Input Current:	500mA (Max.)
Dimension (WXHxD) :	112mm*65mm*93mm
Weight (appx.):	0.25kg
Application:	Indoor
Accessory:	User Manual, Warranty card



1.Lens(auto focus)	3.Audio in(built-in pick-up)	5.Bracket installation hole
2.Indicator light	4.USB2.0 output hole	6.Fixation clamp